

Vampire V4+ computer Manual

TABLE OF CONTENTS:

- 1) Disclaimer
- 2) ROM/ kickstart/ OS
- 3) Description
- 4) How to use & good to know
- 5) Flashing the board
- 6) Data transfer
- 7) Terms of warranty
- 8) Software installation & support



European Union Regulatory Notice

This product complies with the following EU Directives:

- Low Voltage Directive 2006/95/EC
- EMC Directive 2004/108/EC



1) Disclaimer

The Vampire V4+ StandAlone is a computer delivered in a box adapted to the electromagnetic standards in force. Neither the manufacturer nor the reseller can under no circumstances be held responsible for any damage caused when you open the metal case.

The V4+ StandAlone ships with the Apollo-ROM, no third party copyrighted material is part of this product.

Notice: If you want to dispose of this equipment, please follow your country rules for electronic disposal!

2) ROM/ kickstart / OS

The V4+ StandAlone comes preinstalled with the latest Apollo-ROM. The Apollo-ROM allows you to run ApolloOS and the latest Coffin distro, by just plugging a CF Card in. You can also use any other Amiga OS like 3.2 or even Emutos. We recommend the Apollo bootloader for booting each ROM and OS you want. If you need help, please contact us on discord

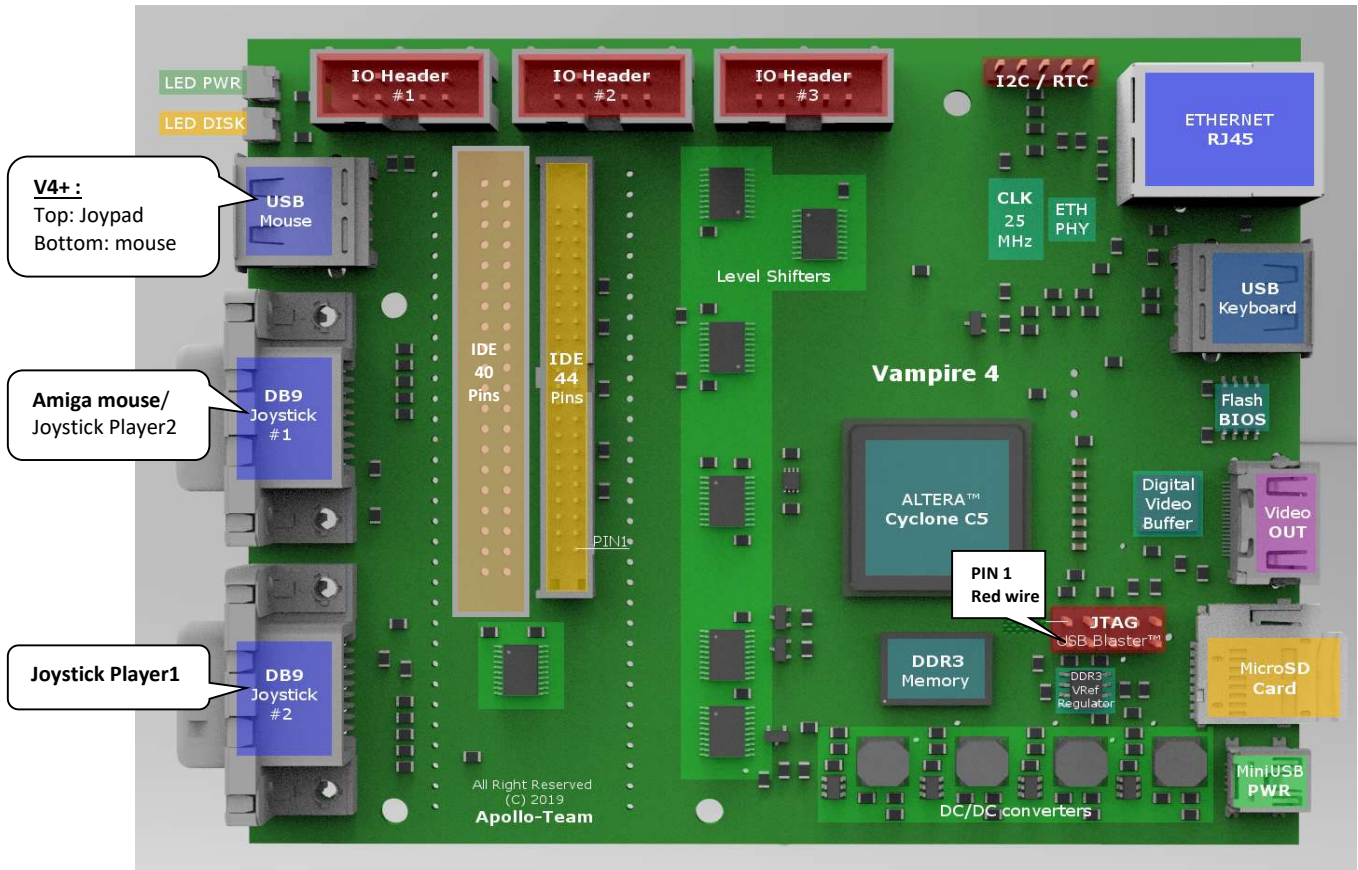
2) Description

Your V4+ comes with CF-Adapter and CF-Card with preinstalled ApolloOS, plug it in and enjoy the amiga-feeling.

The Vampire V4+ is an AMIGA© compatible computer that uses the Apollo-core which is compatible with the Motorola 68K processors while outclassing them in performance. The Vampire V4+ is equipped with the following connectors: a mini-USB port

for power, a micro SD connector, a video and digital audio output, three USB connectors for keyboard, mouse and joypad, RJ45-Ethernet port and two DB9 connectors for Amiga joystick or Amiga mouse.

The card has the following internal connectors: 3 Expansion ports for future extensions, a RTC connector for a clock module, a 44-pin IDE port for mass storage is used for CF/SD- Adapter+ card, a 40-pin IDE port, and a JTAG port for updating the core.



5) How to use & good to know:

- **Self test:** At power ON, the screen will change color quickly; this is a normal self test of the system and Amiga Mainboard.
- **Ethernet:** DMA accelerated Ethernet; drivers are included in ApolloOS.
- **USB:** The Apollo-computer-shop sells compatible USB devices. For other USB mice and Joypad look at the periraphel list, at: www.apollo-computer.com.
- **Joystick:** Support of AMIGA© Joystick (like Competition Pro on the DB9 port).
- **OCS/AGA:** Over 90% of the games and demos work perfectly. This is continually improving.
- **Boot drives:** boot from IDE/CF or microSD. You can also use microSD card for data exchange.

- **Reboot:** To reboot please press “STRG” +”BAT”+”STRG” or just switch of and on.
- **instability Problems**
 - Note that the V4 is a green computing device. USB devices with up to 100mA power consumption are supported. Save the planet, do not destroy it!
 - Attached devices can eat power and cause problems.
 - Be aware attached external HDMI devices like switches can cause problems.

6) Flashing the board

The V4+ StandAlone accelerator board can be updated to benefit the latest core improvements, such as new features, speed or compatibility improvements.

➔The recommended way to install the FlashRom:

- Go with your Amiga© on the Internet (Ibrowse is in ApolloOS preinstalled)
- Download the **STANDALONE_XX.jic** from:
www.apollo-computer.com/download.html
- Open a CLI on your Amiga©.
- update your system by typing: **ApolloFlash STANDALONE_XX.jic**
- Confirm the operation by typing 'YES' (in CAPS) and RETURN.
- Wait until flashing is finished.
- Power Off your Amiga© and wait 30 seconds.
- Power On your Amiga©.

➔Using the JTAG USB-Blaster: **Only for experts!!!**

The USB blaster allows to flash a core when the card does not boot anymore after a flash error. Please consult the picture to see where an how to connect the JTAG. **Plug in the wrong way, might destroy your board!**

7) Data transfer

Micro SD-Slot: You can use the microSD card to transfer files from another computer to the V4+ StandAlone. ApolloOS and some AmigaOS distributions already have the integrated support of the microSD. Please be aware that the SD slot is a popp plug with a spring, always push to remove.

Ethernet: The V4+ StandAlone has ethernet support and drivers preinstalled in ApolloOS. You can use FTP and Web browsers (Ibrowse is preinstalled) for datatransfer downloads. SMB can be

used to mount windows shares. You can use **ApolloExplorer** to copy data to/from the Amiga over network.

USB: USB for Data transfer is not yet supported!

8) Terms of warranty

The V4+ StandAlone comes fully tested and ready to use. Please mind that the electronic components / chips on the V4 are electrostatic sensitive devices and can be damaged by electrostatic discharge. The metal housing protects the PVB from electrostatic damage. If you want to open the case for any reason, be aware that the warranty will be void. Any damage due to electrostatic discharge is excluded from the warranty.

- The V4+ StandAlone comes with a fully tested IDE-CF adapter. Usage of other adapter or devices is on the risk of the user.
- Mind that wrong inserting/plugin of IDE-adapters or Expansions/JTAG can cause an electronic shock harming the device.
- Any mechanical or electrical damage to card is excluded from the warranty.
- Any damage which is caused by the JTAG to the FPGA is excluded from warranty.
- The SD slot is fragile and needs to be handled with care. Any mechanical damage to the port is excluded from warranty.

9) Software installation & support

- Visit our homepage <http://www.apollo-computer.com> to be informed about the whole Apollo-Family and use **support** to find the latest core, ApolloOS image and e.g., video guides.
- On <http://www.apollo-core.com> developers find many useful information for coding. In the **FORUM** FAQ are answered and you find information about many different Amiga topics.
- If you need help, don't hesitate to contact us. We invite you in our **discord-channel**, which is specially created for V4 users. Here is the link <https://discord.gg/D9gQpXgE6y>